

[DOWNLOAD CATALOG](#)

GLASS DROP

Like a drop of incandescent material, Glass Drop seems to represent the magical and elusive nature of blown glass at the instant it is both fluid and solid, just before it takes shape.

TAGS:

CLUSTER SUSPENSION

GLASS DROP

In the chrome version, its surface reflects like a mirror when turned off, while when turned on the light seems to dissolve the metal revealing its color: a lamp that

changes personality with a simple touch of the switch. Glass Drop is also available in a pure white version that offers extreme versatility of setting.

Glass Drop is particularly striking in multiple compositions, like a piece of jewelry consisting of many pendants that combines functionality and design harmony.



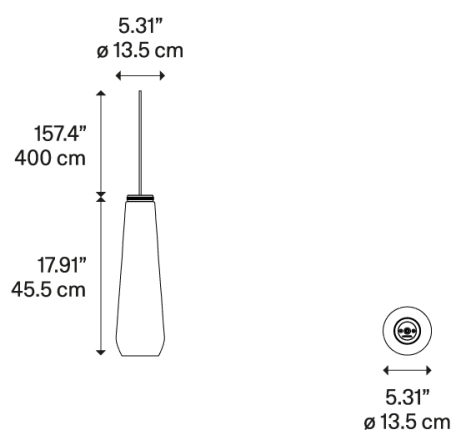
GLASS DROP, WHITE
GLASS DROP, CHROME

TAGS:

CLUSTER SUSPENSION

GLASS DROP › Discover the spec sheets

SUSPENSION



LIGHT SOURCE	FRAME	DIFFUSER: BLOWN GLASS	CODE
E27 LED • 1 × 25W	—	WHITE	504001
	—	CHROME	504002

Net weight: 1.77 kg	Gross weight: 0.00 kg
---------------------	-----------------------

Parcels: N° 2	Volume: 0.000 m³
---------------	------------------

Dim **ERC** IP20 Energy Saving



Download

- ▶ Spec sheets
- ▶ 3D model

SUSPENSION LAMPS MUST BE INSTALLED ON A CANOPY: FIND OUT MORE

VIEW ALL AVAILABLE FINISHES



YOU MAY ALSO LIKE



CAGE



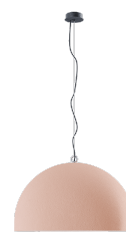
FLASK



FORK



GASK



URBAN
CONCRETE

DIESEL LIVING WITH
LODES